

Fade collection

PRODUCT SHEET



proctoria

Fade collection

by NUMEN / FOR USE

Fade is a sofa bed system featuring a characteristic, continuous diagonal bevel of edges, applied on all of the elements of the system. This formal fade-out of volumes, varying in depth or height, results in a soft transition of elements, uniting the cuboids of the seat, backrest and armrests.







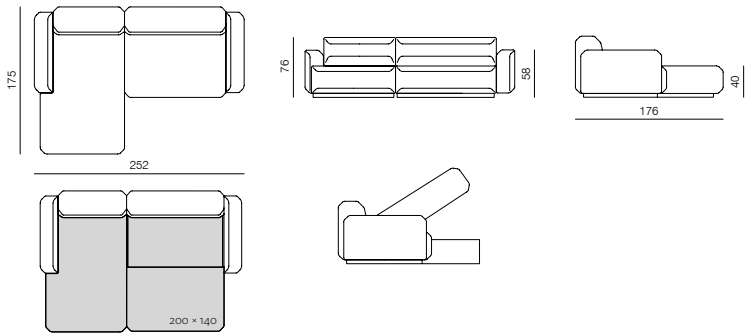


SPECIFICATIONS AND TECHNICAL DRAWING

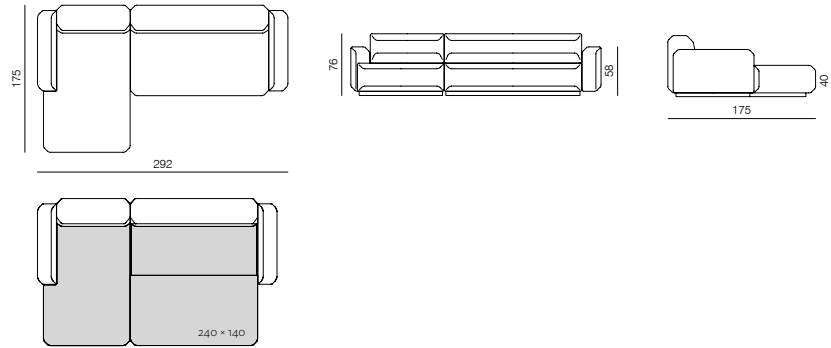
STRUCTURE	solid wood, plywood
SUSPENSION	wave springs, elastic webbing
SEAT & BACKREST	HR foam, polyester wadding
UPHOLSTERY	fabric (removable)
MATTRESS TYPE	HR foam

[PRODUCT INFORMATION WEBSITE](#)

2.5SEATER + EXTENDED (L/R)
dimensions 252 x 175 x 76 cm



2.5SEATER + EXTENDED (L/R)
dimensions 292 x 175 x 76 cm



3SEATER SOFA
dimensions 246 x 109 x 76 cm

